



**ZCA® All-Poly
Acetabular Cup**



All Poly. All Zimmer. All Together



ZCA[®] All-Poly Acetabular Cups

All together, four ZCA All-Poly Acetabular Cups from Zimmer multiply your options for cemented acetabular cups. ZCA All-Poly Cups can be used in primary or revision surgery, and with ZCA Reconstruction Roof Rings or Cages.

Snap-In Cup

The ZCA Snap-In Cup provides additional constraint of the femoral head within the cup to help minimize the risk of dislocation when it is needed most.



Inclined Face Cup

The Inclined Face Cup can be used to offer extra protection against dislocation.



Flanged Cup*

The Flanged Cup helps establish a stable acetabular rim and helps pressurize cement. In addition, the flange can be easily trimmed to address specific patient needs.



Neutral Cup

The Neutral Cup remains an excellent choice for standard acetabular replacement.



* Not available for commercial distribution in the U.S.

3mm rim (1.5mm on each side) or an added flange* to help pressurize cement.

The 10° inclined face option can be used to help prevent dislocation.

Four 3mm PMMA spacers, strategically positioned in load-bearing areas, help centralize the cup and create a uniform cement mantle.

Two holes in the cup face accommodate the cup positioner during insertion.

Notched circumferential grooves facilitate cement interdigitation.

Stainless steel radiopaque wires on the pole and equator aid in assessing cup position.

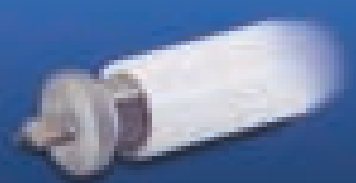
Zimmer Polyethylene in both **Standard** and **Longevity® Highly Crosslinked Polyethylene options** with a minimum thickness of 6mm at the pole, with the exception of 32mm ID x 49mm OD Standard and Longevity Snap-In Cups.**



Provisionals can be used with the cup pusher shaft or the standard cup positioner.



Complete set of instrumentation includes a choice of cup positioners



Self-centering acetabular drill allows easy placement of drill holes in acetabulum.

* Not available for commercial distribution in the U.S.

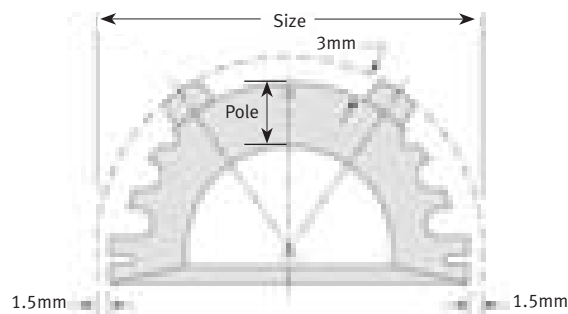
** 32mm x 49mm Standard Polyethylene Snap-In Cups (00-8005-946-32) have minimum thickness of 5.65mm at the pole, 32mm x 49mm Longevity Snap-In Cups (00-8065-946-32) have minimum thickness of 5.44mm at the pole.

ZCA All-Poly Acetabular Cup Sizing

The ZCA cup diameter is measured over the cement spacers. Therefore, the **last reamer used should match the cup diameter**. If odd-size reamers are unavailable, choose a cup diameter size which is 1mm less than the last reamer used. The cement mantle thickness is the same as the cement spacer height, which is 3mm.

Size = Diameter of reamed acetabulum (nominal diameter of debris-retaining reamer). This is also the size labeling on the package.

Note: Cup sizes are available in increments of 2mm, as reflected in catalogue numbers.



Zimmer Standard Polyethylene

Prod. No.	Size
22mm Neutral Spacer	
00-8005-540-22	43mm OD
00-8005-558-22	61mm OD
26mm Neutral Spacer	
00-8005-542-26	45mm OD
00-8005-558-26	61mm OD
28mm Neutral Spacer	
00-8005-544-28	47mm OD
00-8005-558-28	61mm OD
32mm Neutral Spacer	
00-8005-546-32	49mm OD
00-8005-558-32	61mm OD
22mm 10° Inclined Face Spacer	
00-8005-640-22	43mm OD
00-8005-658-22	61mm OD
26mm 10° Inclined Face Spacer	
00-8005-642-26	45mm OD
00-8005-658-26	61mm OD
28mm 10° Inclined Face Spacer	
00-8005-644-28	47mm OD
00-8005-658-28	61mm OD
32mm 10° Inclined Face Spacer	
00-8005-646-32	49mm OD
00-8005-658-32	61mm OD
22mm Neutral Flanged Spacer*	
00-8005-740-22	43mm OD
00-8005-758-22	61mm OD
26mm Neutral Flanged Spacer*	
00-8005-742-26	45mm OD
00-8005-758-26	61mm OD
28mm Neutral Flanged Spacer*	
00-8005-744-28	47mm OD
00-8005-758-28	61mm OD

22mm 10° Inclined Face Flanged Spacer*

00-8005-840-22	43mm OD
00-8005-858-22	61mm OD

26mm 10° Inclined Face Flanged Spacer*

00-8005-842-26	45mm OD
00-8005-858-26	61mm OD

28mm 10° Inclined Face Flanged Spacer*

00-8005-844-28	47mm OD
00-8005-858-28	61mm OD

32mm Snap-In Spacer

00-8005-900-32	Snap-in Spacer Set
00-8005-946-32	49mm OD
00-8005-958-32	61mm OD

Longevity Highly Crosslinked Polyethylene

Prod. No. Size

22mm Neutral Spacer

00-8065-540-22	43mm OD
00-8065-558-22	61mm OD

26mm Neutral Spacer

00-8065-542-26	45mm OD
00-8065-558-26	61mm OD

28mm Neutral Spacer

00-8065-544-28	47mm OD
00-8065-558-28	61mm OD

32mm Neutral Spacer

00-8065-546-32	49mm OD
00-8065-558-32	61mm OD

22mm 10° Inclined Face Spacer

00-8065-640-22	43mm OD
00-8065-658-22	61mm OD

26mm 10° Inclined Face Spacer

00-8065-642-26	45mm OD
00-8065-658-26	61mm OD

28mm 10° Inclined Face Spacer

00-8065-644-28	47mm OD
00-8065-658-28	61mm OD

32mm 10° Inclined Face Spacer

00-8065-646-32	49mm OD
00-8065-658-32	61mm OD

22mm Neutral Flanged Spacer*

00-8065-740-22	43mm OD
00-8065-758-22	61mm OD

26mm Neutral Flanged Spacer*

00-8065-742-26	45mm OD
00-8065-758-26	61mm OD

28mm Neutral Flanged Spacer*

00-8065-744-28	47mm OD
00-8065-758-28	61mm OD

32mm Neutral Flanged Spacer*

00-8065-746-32	49mm OD
00-8065-758-32	61mm OD

22mm 10° Inclined Face Flanged Spacer*

00-8065-840-22	43mm OD
00-8065-858-22	61mm OD

26mm 10° Inclined Face Flanged Spacer*

00-8065-842-26	45mm OD
00-8065-858-26	61mm OD

28mm 10° Inclined Face Flanged Spacer*

00-8065-844-28	47mm OD
00-8065-858-28	61mm OD

32mm 10° Inclined Face Flanged Spacer*

00-8065-846-32	49mm OD
00-8065-858-32	61mm OD

32mm Snap-In Spacer

00-8065-900-32	Snap-in Spacer Set
00-8065-946-32	49mm OD
00-8065-958-32	61mm OD

Prod. No. Description

8005-400 ZCA Instrument Set (includes the following:)

00-8005-260-00	Cup Pusher Shaft
00-8005-260-22	Cup Pusher Head, 22mm
00-8005-260-26	Cup Pusher Head, 26mm
00-8005-260-28	Cup Pusher Head, 28mm
00-8005-260-32	Cup Pusher Head, 32mm
00-1814-005-00	Cutting Scissors
00-8000-214-00	Acetabular Drill, 6mm
00-8000-215-00	Acetabular Drill, 13mm
00-8000-216-00	Acetabular Drill, 10mm
00-5785-079-00	Alignment Guide

8005-300 ZCA Cup Provisional Set (includes the following:)

00-8005-300-43	ZCA Cup Provisional, 43mm
00-8005-300-61	ZCA Cup Provisional, 61mm

00-8005-960-00 ZCA Tray Assembly**

00-8005-950-00 ZCA Sterilization Case Assembly**

00-8005-210-00 ZCA Cup Positioner, Charnley Style,*** fits 22, 26, 28mm cups OR

00-8005-250-00 ZCA Cup Positioner***, fits 22, 26, 28mm cups

00-8005-230-00 ZCA Cup Positioner***, fits 32mm cup only

* Neutral Flanged Spacer Cups and 10° Inclined Face Flanged Spacer Cups are not available for sale in the U.S.

** Holds instruments and provisionals.

*** One positioner will fit into Tray Assembly.

Note: To receive the entire system, order all part numbers in bold

This documentation is intended exclusively for physicians and is not intended for laypersons. Information on the products and procedures contained in this document is of a general nature and does not represent and does not constitute medical advice or recommendations. Because this information does not purport to constitute any diagnostic or therapeutic statement with regard to any individual medical case, each patient must be examined and advised individually, and this document does not replace the need for such examination and/or advice in whole or in part. Please refer to the package inserts for important product information, including, but not limited to, contraindications, warnings, precautions, and adverse effects.



Contact your Zimmer representative or visit us at www.zimmer.com

The CE mark is valid only if it is also printed on the product label.

