



Explant[®] Acetabular Cup Removal System

Surgical Technique



Minimizes Acetabular Bone Loss

- Controlled bone dissection at the bone-cup interface helps minimize bone loss during revision surgery.
- Two blade styles for each cup size facilitate progressive removal of the cup.
- Blades closely match acetabular cup OD to preserve bone stock.
- Centering heads, which match acetabular cup ID, help stabilize and guide the blades during cutting.

Simple Procedure

Anchored by a centering head attached to the handle, a stiff Truncated Blade penetrates dense peripheral bone and creates a channel.

A full radius, thin Full Blade then frees the dome of the cup from bone attachment.



1 Select Instrument Size

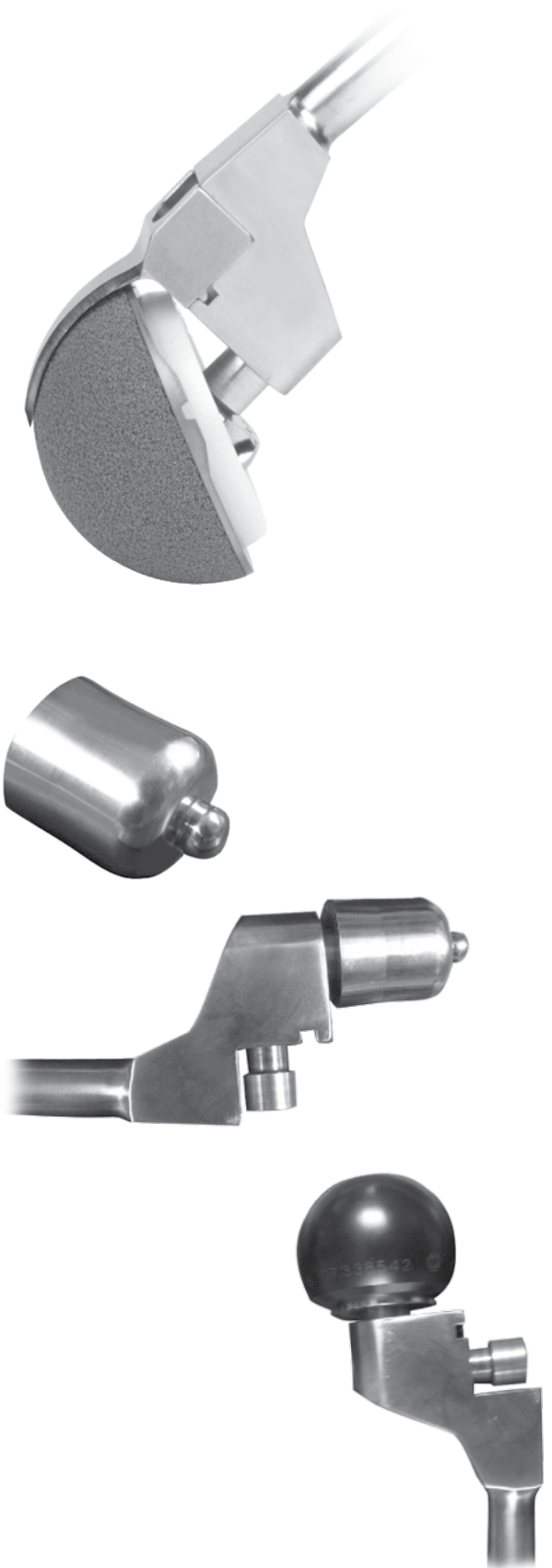
Determine the size of acetabular cup to be removed by determining its outside and inside diameters. Select the blade based on the outside diameter (OD) of the cup and the Pivot Head (22mm-36mm) based on the inside diameter (ID).

Note: If the OD is in between the available blade sizes, select the next largest size. Alternatively, if the ID is in between the available Pivot Head sizes, select the next smallest size.

If the shell to be explanted is a Large Diameter Head shell and the inside diameter (ID) is 38mm or greater, you must choose the appropriate size *Metasul® LDH®* femoral head trial that most closely matches the ID of the shell. Place the adapter on the *Explant* handle by screwing it down in the same manner that you would attach the standard pivot heads, making sure that it is tightened completely and securely. Then, place the appropriate sized *Metasul LDH* femoral head trial securely on the adapter by pushing down on the trial head so that the taper on the adapter captures it securely. A light impaction with the palm of the hand will be enough.

Note: This should be done BEFORE attaching the osteotome blade. Attach the appropriate sized osteotome blade on the handle and secure with hex driver.

Note: If the OD is in between the available blade sizes, select the next largest size. Alternatively, if the ID is in between the available Pivot Head or *Large Diameter Head Trial Head* sizes, select the next smallest size.

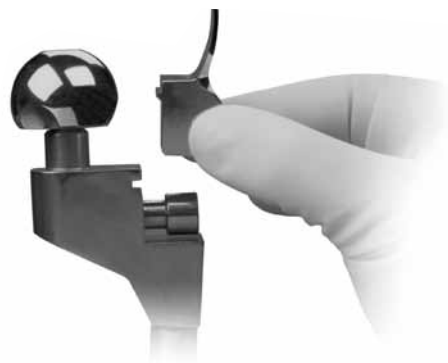


2 Assemble Blades

Thread the selected Pivot Heads or the *Explant* Adapter with *Large Diameter Head* Trial Heads onto each of the two handles. Ensure the Pivot Head or Adapter with *Large Diameter Head* Trial Head is threaded down tightly on the handle to prevent loosening during impaction. Slide the selected Truncated Blade and corresponding Full Blade over the bolt on each handle. Use the Torque Wrench with the hex adapter to secure the blade to the handle. Tighten until the Torque Wrench releases. This will ensure that the blade is fully locked in place.

Note: The handle bolt is captured. Only loosen the bolt with the torque wrench and hex adaptor. The bolt only needs to be loosened until the blade is free. Do not continue to unscrew the bolt as it may become separated from handle.

Warning: Do not attempt to unscrew the Pivot Head or Adapter with *Large Diameter Head* Trial Head from the handle when the blade is still attached. The sides of the blade are sharp and caution should be used. Instead, remove the blades prior to the Pivot Head or Adapter with *Large Diameter Head* Trial Head removal.



3 Initiate Cup Removal

Assess location of screws in any acetabular cup and remove them to ensure no interference with the *Explant* blades. Also, ensure soft tissue is cleared from the face of the cup.

Use the Truncated Blade to initiate cup removal. This shorter, stiffer blade is designed to penetrate the denser peripheral bone around the cup. Place the Pivot Head or Adapter with *Large Diameter Head Trial Head* within the cup ID to guide the blade around the cup. Use the Ball Impactor, if required, to secure the handle within the cup. Using a technique of impaction and axial rotation, initiate a channel around the cup periphery. If the bone near the rim is sclerotic and the Truncated Blade is not advancing, the *Explant* instrument can be removed and preparation initiated with a straight osteotome.

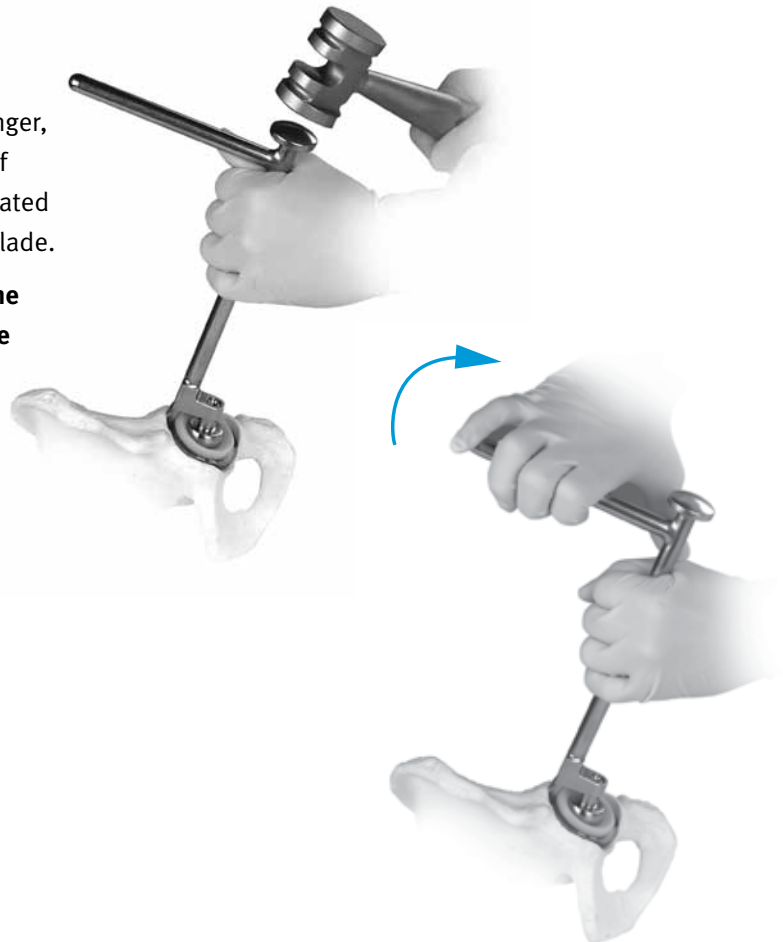
Note: If the cup liner is damaged, or if the cup has an offset liner preventing proper centering of the osteotome, remove the liner and use a provisional insert.



4 Finalize Cup Removal

Use the Full Blade to finalize the cup removal. This longer, thinner blade is designed to reach toward the dome of the cup. Repeat the technique described for the Truncated Blade. Avoid applying too much force using the thin blade.

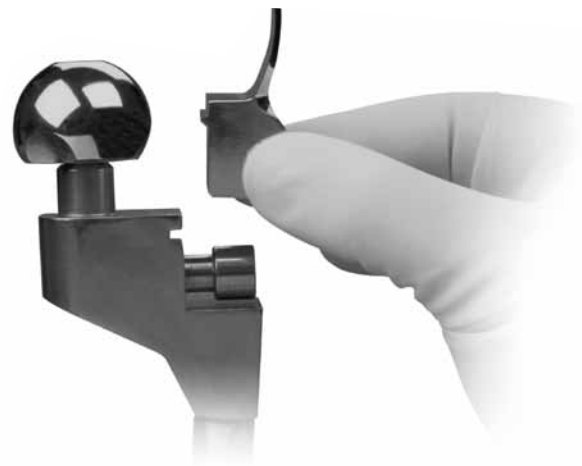
Warning: Should the blade bend and impinge upon the cup itself, excess torque could lever the cup out of the acetabulum along with attached bone.



5 Blade Disposal

After the cup has been explanted, it is recommended that the short and long *Explant* blades used in surgery be discarded. Wear and/or other damage that may occur during the cup removal can compromise the blades' cutting ability.

Warning: The *Explant* blades are extremely sharp. Caution must be used in handling throughout the surgical procedure and subsequent disposal of the blades.



Order Information

Instrumentation*

Product No.	Description	Qty.
00-7000-020-00	Shell Removal Instrument Set - Small	
00-7050-096-00	Small Osteotome Instrument Case	1
00-7053-001-00	Torque Wrench	1
00-7053-002-00	Torque Wrench Adapter, Hex 3.5mm	1
00-7053-003-01	Curved Osteotome, Small Handle	2
00-7053-042-10	Truncated Blade, 42mm Hemisphere	1
00-7053-044-10	Truncated Blade, 44mm Hemisphere	1
00-7053-046-10	Truncated Blade, 46mm Hemisphere	1
00-7053-048-10	Truncated Blade, 48mm Hemisphere	1
00-7053-050-10	Truncated Blade, 50mm Hemisphere	1
00-7053-042-20	Full Blade, 42mm Hemisphere	1
00-7053-044-20	Full Blade, 44mm Hemisphere	1
00-7053-046-20	Full Blade, 46mm Hemisphere	1
00-7053-048-20	Full Blade, 48mm Hemisphere	1
00-7053-050-20	Full Blade, 50mm Hemisphere	1
00-7053-022-00	Osteotome Pivot Head, 22mm	2
00-7053-026-00	Osteotome Pivot Head, 26mm	2
00-7053-028-00	Osteotome Pivot Head, 28mm	2
00-7053-032-00	Osteotome Pivot Head, 32mm	2
00-7053-036-00	Osteotome Pivot Head, 36mm	2
00-7053-003-03	Explant Large Diameter Head Adapter	2
00-7000-019-00	Shell Removal Instrument Set - Medium	
00-7050-097-00	Medium Osteotome Instrument Case	1
00-7053-001-00	Torque Wrench	1
00-7053-002-00	Torque Wrench Adapter, Hex 3.5mm	1
00-7053-003-00	Curved Osteotome, Medium Handle	2
00-7053-052-10	Truncated Blade, 52mm Hemisphere	1
00-7053-054-10	Truncated Blade, 54mm Hemisphere	1
00-7053-056-10	Truncated Blade, 56mm Hemisphere	1
00-7053-058-10	Truncated Blade, 58mm Hemisphere	1
00-7053-060-10	Truncated Blade, 60mm Hemisphere	1
00-7053-052-20	Full Blade, 52mm Hemisphere	1
00-7053-054-20	Full Blade, 54mm Hemisphere	1
00-7053-056-20	Full Blade, 56mm Hemisphere	1
00-7053-058-20	Full Blade, 58mm Hemisphere	1
00-7053-060-20	Full Blade, 60mm Hemisphere	1
00-7053-022-00	Osteotome Pivot Head, 22mm	2
00-7053-026-00	Osteotome Pivot Head, 26mm	2
00-7053-028-00	Osteotome Pivot Head, 28mm	2
00-7053-032-00	Osteotome Pivot Head, 32mm	2
00-7053-036-00	Osteotome Pivot Head, 36mm	2
00-7053-003-03	Explant Large Diameter Head Adapter	2

Product No.	Description	Qty.
00-7000-021-00	Shell Removal Instrument Set - Large	
00-7050-098-00	Large Osteotome Instrument Case	1
00-7053-001-00	Torque Wrench	1
00-7053-002-00	Torque Wrench Adapter, Hex 3.5mm	1
00-7053-003-02	Curved Osteotome, Large Handle	2
00-7053-062-10	Truncated Blade, 62mm Hemisphere	1
00-7053-064-10	Truncated Blade, 64mm Hemisphere	1
00-7053-066-10	Truncated Blade, 66mm Hemisphere	1
00-7053-068-10	Truncated Blade, 68mm Hemisphere	1
00-7053-070-10	Truncated Blade, 70mm Hemisphere	1
00-7053-072-10	Truncated Blade, 72mm Hemisphere	1
00-7053-062-20	Full Blade, 62mm Hemisphere	1
00-7053-064-20	Full Blade, 64mm Hemisphere	1
00-7053-066-20	Full Blade, 66mm Hemisphere	1
00-7053-068-20	Full Blade, 68mm Hemisphere	1
00-7053-070-20	Full Blade, 70mm Hemisphere	1
00-7053-072-20	Full Blade, 72mm Hemisphere	1
00-7053-022-00	Osteotome Pivot Head, 22mm	2
00-7053-026-00	Osteotome Pivot Head, 26mm	2
00-7053-028-00	Osteotome Pivot Head, 28mm	2
00-7053-032-00	Osteotome Pivot Head, 32mm	2
00-7053-036-00	Osteotome Pivot Head, 36mm	2
00-7053-003-03	Explant Large Diameter Head Adapter	2

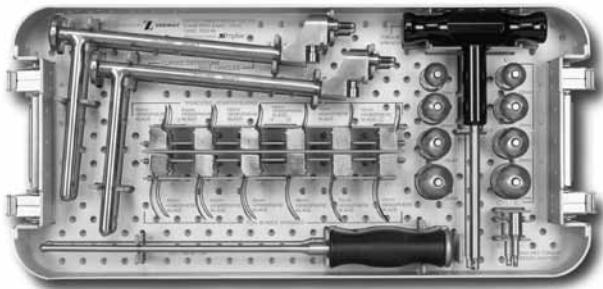
00-7053-004-00 Ball Impactor (Optional)



* Blade sizing refers to the outside diameter of the cup being removed. For example, use Prod. Nos. 00-7053-050-10 (Truncated Blade) and 00-7053-050-20 (Full Blade) for a 50mm cup.

Product No.	Description	Qty.
	Large Diameter Head Femoral Head Trials	
01.00189.381	≥ 38mm	1
01.00189.401	≥ 40mm	1
01.00189.421	≥ 42mm	1
01.00189.441	≥ 44mm	1
01.00189.461	≥ 46mm	1
01.00189.481	≥ 48mm	1
01.00189.501	≥ 50mm	1
01.00189.521	≥ 52mm	1
01.00189.541	≥ 54mm	1
01.00189.561	≥ 56mm	1
01.00189.581	≥ 58mm	1
01.00189.601	≥ 60mm	1

It is recommended that both handles be assembled with the osteotome blades prior to cup removal to reduce surgery time. (See Step #2)



00-7001-021-00—Large Set

This documentation is intended exclusively for physicians and is not intended for laypersons. Information on the products and procedures contained in this document is of a general nature and does not represent and does not constitute medical advice or recommendations. Because this information does not purport to constitute any diagnostic or therapeutic statement with regard to any individual medical case, each patient must be examined and advised individually, and this document does not replace the need for such examination and/or advice in whole or in part. Please refer to the package inserts for important product information, including, but not limited to, contraindications, warnings, precautions, and adverse effects.



Contact your Zimmer representative or visit us at www.zimmer.com

The CE mark is valid only if it is also printed on the product label.



+H12497725520600/\$110906111

97-7255-206-00 1108-H03 1ML Printed in USA ©2011 Zimmer, Inc.